

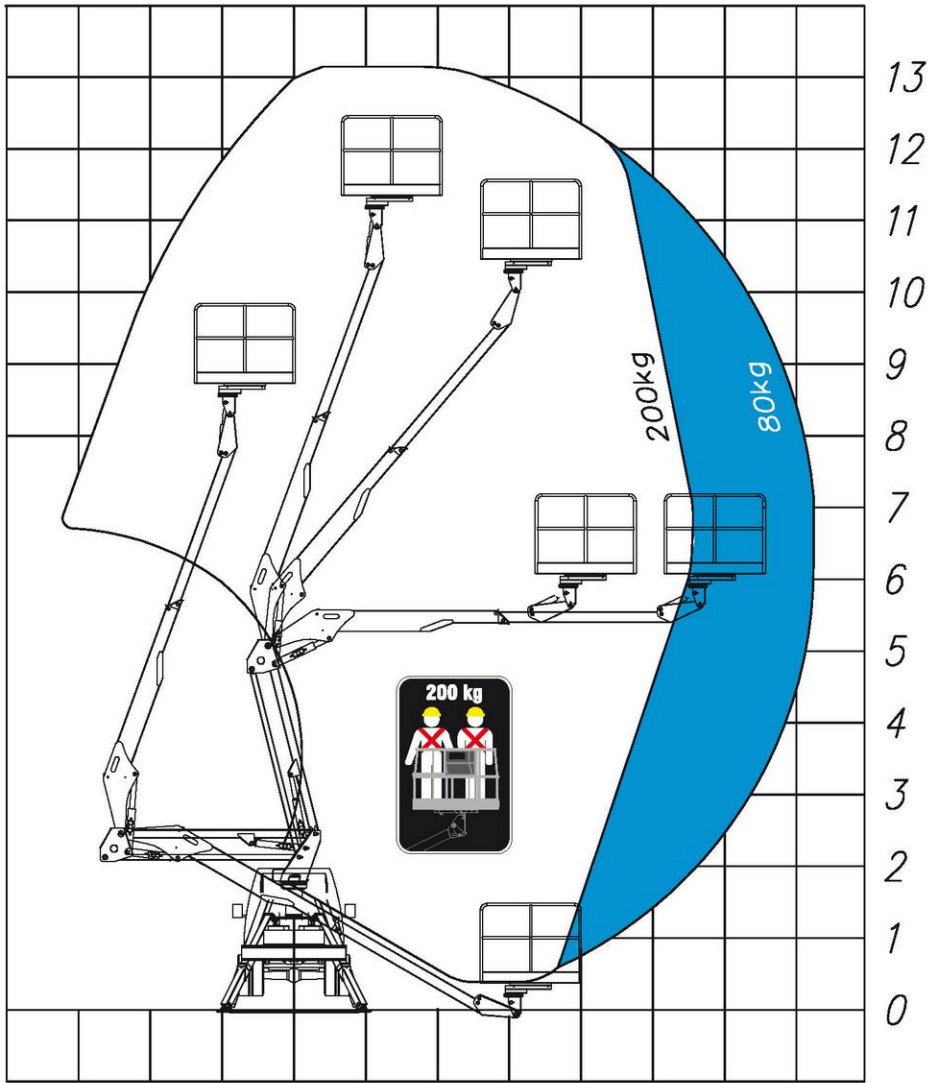
A314^{NAT}



**ELECTRIC
VEHICLE**



A314_{NAT}



4 3 2 1 0 1 2 3 4 5 6 7 8



13,2 m



11,2 m



7,2 m



CONTINUA
CONTINUOUS
CONTINUE
CONTINUA
ENDLOS



200 kg



1400x700x1100
mm



ALLUMINIO
ALUMINIUM
ALUMINIUM
ALUMINIO
ALU



90° + 90°



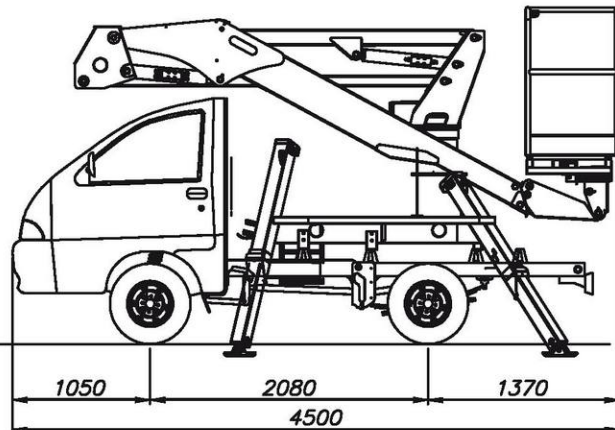
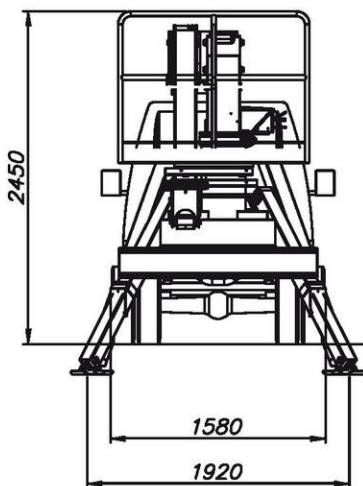
IDRAULICI
HYDRAULIC
HYDRAULIQUES
HIDRÁULICOS
HYDRAULISCHE



A + A



2,2 T



SOCAGE S.r.l.

strada statale 12 n. 10
41030 - Sorbara di Bomporto (MO)

ITALY

tel. +39 059 9121211

fax +39 059 907304

www.socage.it

SOCAGE